



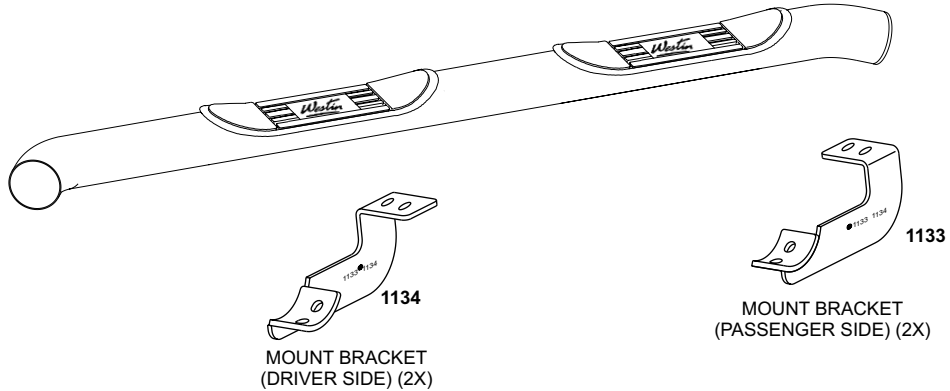
INSTALLATION INSTRUCTIONS

APPLICATION: '03 & UP HONDA PILOT

AUTOMOTIVE PRODUCTS, INC.

STEP BAR
ASSEMBLIES
MOUNT KIT
00122315

BLACK CHROME
25-2255 25-2250
26-2255 26-2250



QTY	PARTS KIT CONTENTS	TOOLS REQUIRED
1	STEP BAR, DRIVER SIDE	12mm SOCKET 13mm SOCKET 7/32" ALLEN WRENCH TORQUE WRENCH RATCHET
1	STEP BAR, PASSENGER SIDE	
2	MOUNT BRACKET, DRIVER SIDE (1134)	
2	MOUNT BRACKET, PASSENGER SIDE (1133)	
8	M8-1.25 X 25mm HEX HEAD BOLT	
8	5/16" FLAT WASHER	
8	5/16" LOCK WASHER	
8	3/8"-16 X 1.0" BUTTON HEAD BOLT	
8	3/8" FLAT WASHER	
8	3/8" LOCK WASHER	

- STEP 1.** Remove contents and check for damage. Verify all parts are present. Read instructions completely before installation.
- STEP 2.** Locate driver side mounting locations on vehicle (See Figure 1 and 2). Repeat for passenger side.
- STEP 3.** Attach driver side front and rear mounting brackets (1134) to underside of rocker panel as shown using M8 hex bolts, 5/16" flat washer and 5/16" lock washer. Hand tighten only (See Figure 1 and 2). Repeat for passenger side.
- STEP 4.** Place driver side step bar on saddles with **WESTIN** Logo facing outwards. Assemble with 3/8" hardware. Hand tighten (See Figure 3 and 4). Repeat for passenger side.
- STEP 5.** Check step bars and brackets for proper alignment. Tighten and torque 3/8" hardware to 32 ft-lbs and M8 hex bolts to 25 ft-lbs.

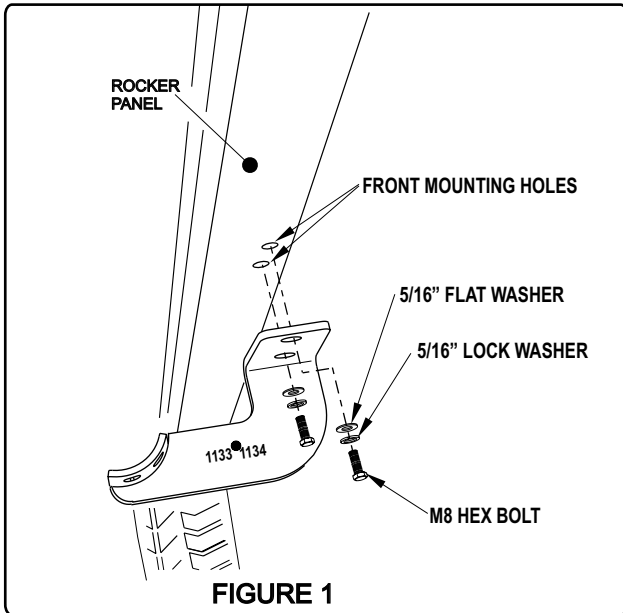


FIGURE 1

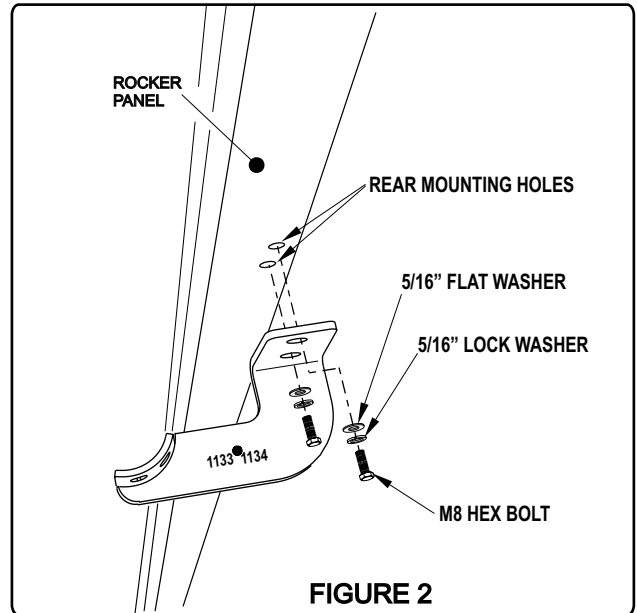


FIGURE 2

DRIVER SIDE SHOWN, PASSENGER OPPOSITE

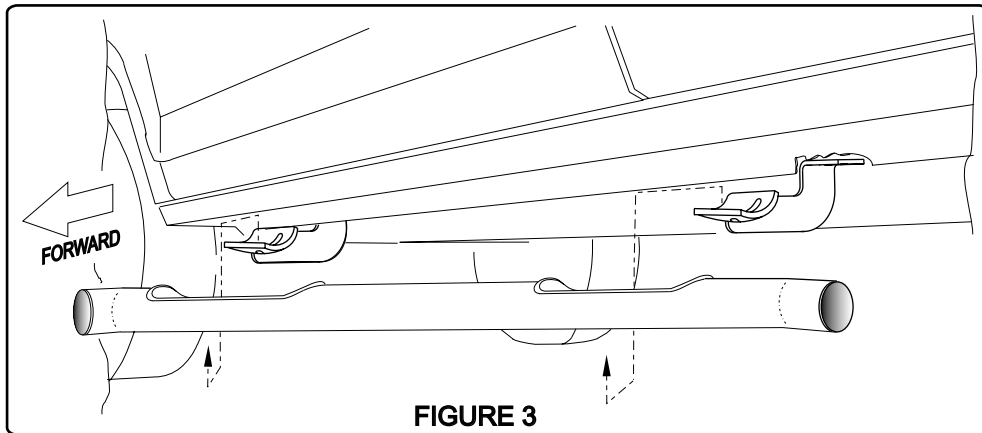


FIGURE 3

DRIVER SIDE SHOWN, PASSENGER OPPOSITE

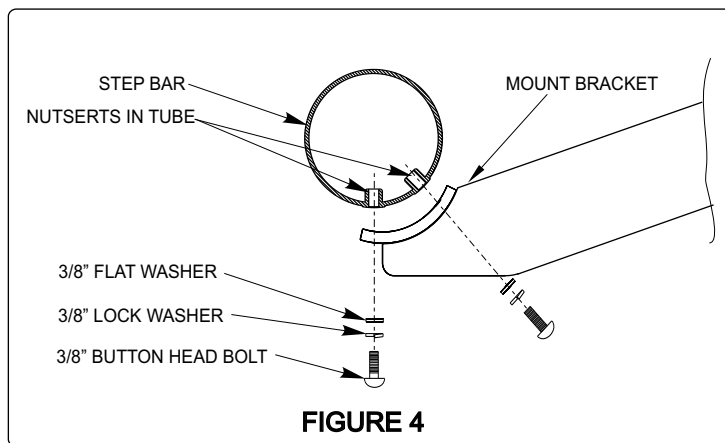


FIGURE 4

(STEP BAR ATTACHMENT)

Finish protection - Westin products have a high quality finish that must be cared for like any other exposed finish on the vehicle. Protect the finish with a non-abrasive automotive wax (pure carnauba, for example) on a regular basis. The use of cleaner wax or any compound which contains an abrasive is detrimental, as the compounds scratch the finish and open it to corrosion.



Westin Automotive Products, Inc.
5200 N. Irwindale Ave. Suite 220
Irwindale, Ca. 91706

Thank You for choosing Westin products
For additional installation assistance please call
Customer service (800) 345-8476 or (626) 960-6762



WESTIN

Premium Quality Truck Accessories

WESTIN WARRANTY

FIVE YEAR WARRANTY FOR STEP BOARDS, POWDER COATED STEEL & CHROME PLATED STEEL PRODUCTS

Westin Automotive Products, Inc. guarantees the original purchaser of Westin Signature Series Step Bars, Classic Grille Guards, Push Bars, Brush Guards, Sportsman One-Piece Grille Guards, Tail Light Guards, Step Boards and Trailblazer bumpers a five-year warranty from the date of original purchase against manufacturer defects in materials, workmanship and finish under normal use excluding damage resulting from road hazards such as gravel or other debris, product misuse, improper installation, impairments from accidents, product modifications or product neglect. This five year warranty applies only to new products and is limited to the repair or replacement of Westin products. Warranty does not include electrical components or light bulb replacement, costs of removal, installation, labor, inconvenience or consequential damages. Original purchaser must return defective merchandise, along with the purchase receipt, to the original place of purchase.

LIFETIME WARRANTY FOR BLACK POWDERCOAT AND CHROME PLATED STAINLESS STEEL PRODUCTS

Westin Automotive Products, Inc. guarantees the original purchaser of Platinum Series™ Step Bars, Chrome-plated Stainless Steel Safari Light Bars and Sportsman Modular Grille Guards a lifetime warranty against manufacturer defects in materials, workmanship and finish under normal use excluding damage resulting from road hazards such as gravel or other debris, product misuse, improper installation, impairments from accidents, product modifications or product neglect. This lifetime warranty applies only to new products and is limited to the repair or replacement of Westin products. Warranty does not include costs of removal, installation, labor, inconvenience or consequential damages. Original purchaser must return defective merchandise, along with the purchase receipt, to the original place of purchase.

FINISH PROTECTION

Westin products have a high quality finish that must be cared for like any other exposed finish on the vehicle. Protect the finish with a non-abrasive automotive wax, (e.g. Pure Carnauba) on a regular basis. The use of any soap, polish or wax that contains an abrasive is detrimental, as the compounds scratch the finish and open it to corrosion.

DISCLAIMER FOR WESTIN PRODUCTS

Buyer assumes all risk and liability whatsoever from the installation and use of Westin products. Westin products are sold as decorative accessories and should not be relied upon as protection for the vehicle or occupants in the event of a collision or roll over. Vehicles equipped with a supplemental restraints system (air bags) deployed by impact should not be modified by any aftermarket Grille Guard, Push Bar, Light Bar or Bull Bar without first consulting the vehicle manufacturer. Westin Automotive Products, Inc. assumes no liability for injury, loss, incidental or consequential damages in the event of a collision or roll over.